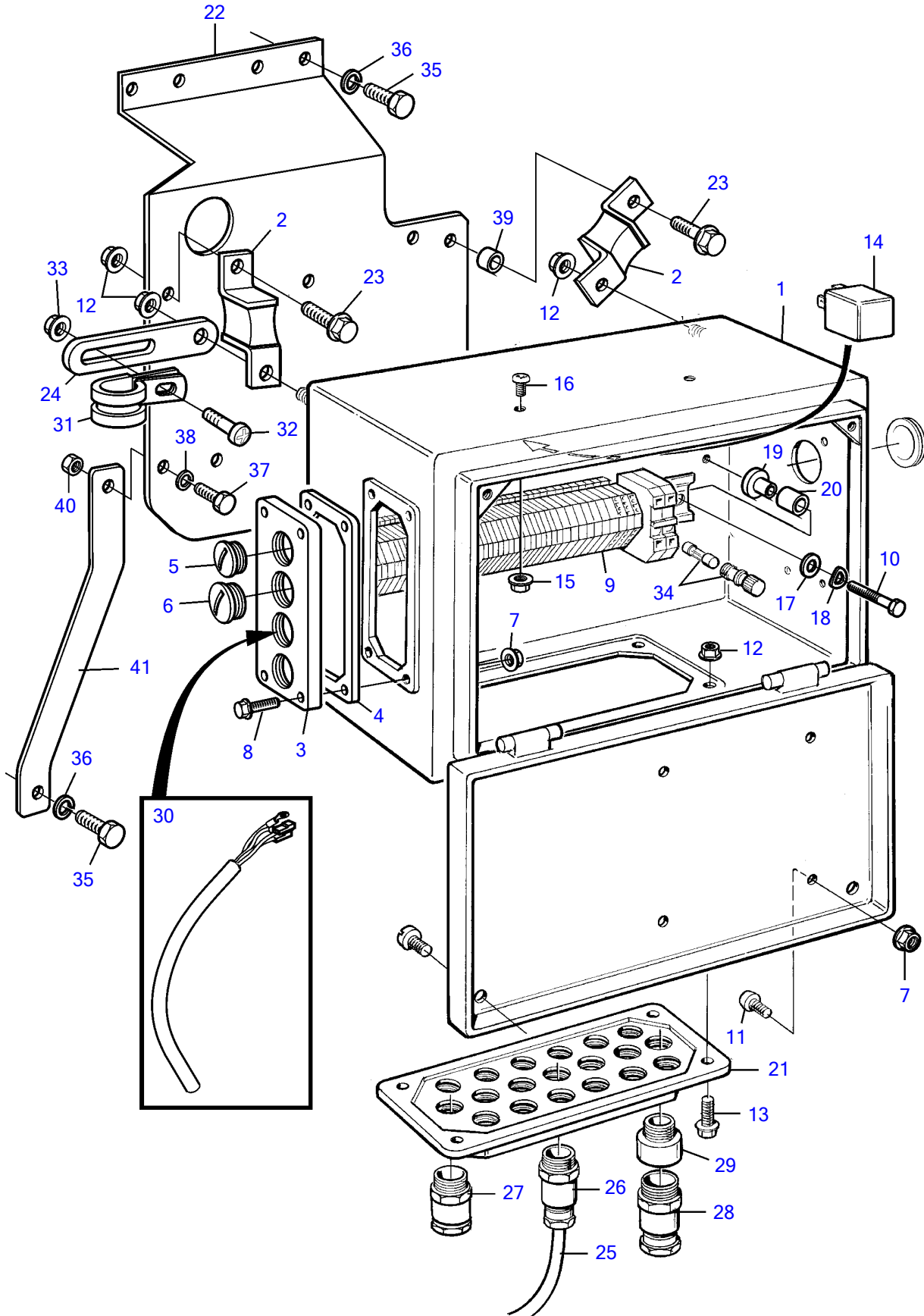


TAMD122A, TMD122A



TAMD122A, TMD122A

REF	PART NO.	QTY	DESCRIPTION	SEE SEC.	NOTES
1	873885	1	Electrical distribut		Repl by 874647
	874647	1	Electrical distribut		
2	845513	2	Vibration damper		
3	(843094)	1	Pipe flange		Obsolete part
4	843578	1	Gasket		
5	843903	3	Plug		
6	843904	1	Plug		
7	963105	8	Lock nut		M6
8	946544	4	Flange screw		M6x16mm
9	874698	1	Terminal block		(874158)
10	956081	2	Cross recessed screw		M5x25
11	956093	4	Cross recessed screw		M6x14
12	948645	9	Flange lock nut		M8
13	946440	4	Flange screw		M8x16mm
14	3171420	5	Relay		(9518230)
15	963104	2	Lock nut		M5
16	(956075)	2	Cross recessed screw		Obsolete part, M5x10mm
17	960138	2	Washer		
18	941905	2	Spring washer		
19	824830	2	Spacer sleeve		
20	403894	2	Spacer sleeve		
21		1	Flange		
22	846819	1	Bracket		
23	946173	4	Flange screw		M8x20mm
24	965534	2	Bracket		
25	874854	X	Power cable		Non reinforced ship cable approved by classification societies., 2x1,5mm ²
26	881191	X	Grommet		7,5-10,5mm, pr 18,6
27	844576	X	Grommet		9,5-12,0mm, pr 18,6
28	881192	X	Grommet		12,5-15,0mm, pr 22,5
29	872939	1	Adapter, electr box-altern-starter		
30	(881602)	1	Cable kit		(873711), Obsolete part
31	952637	2	Clamp		
32	956093	2	Cross recessed screw		
33	949278	2	Flange lock nut		
34	(873712)	5	Fuse		Obsolete part
35	940114	3	Hexagon screw, cables and terminals	1963	
36	942336	3	Spring washer, converter		
37	955524	1	Hexagon screw		
38	941907	1	Spring washer		
39	845589	1	Spacer sleeve		
40	955826	1	Hexagon nut		
41	846911	1	Bracket		

7746700-30-6205

19577

Upd:2012-02-22

TAMD122A, TMD122A, TAMD122P-A, TAMD122P-B, TAMD122P-C

VOLVO
PENTA